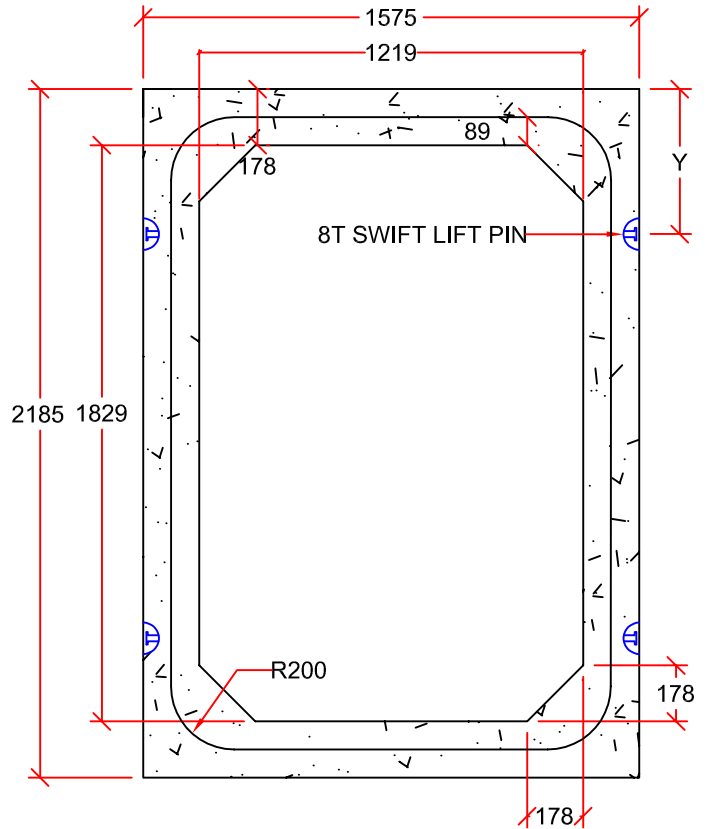


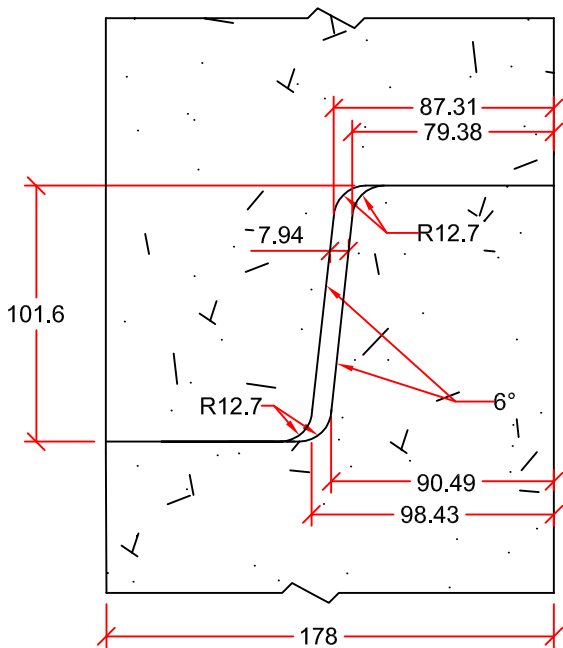
PROFILE VIEW



CROSS-SECTION


HORIZONTAL INSTALLATION
VERTICAL INSTALLATION

BOXES AVAILABLE IN 0.6m, 1.2m, 1.5m, 1.8m, 2.0m,
AND 2.5m LENGTHS



JOINT DETAIL

HEIGHT(H) (mm)	APPROX. MASS (kg)	NUMBER OF PINS	LOAD RATING	X (mm)	Y (mm)
600	1878	2	8T	300	460
1200	3756	4	8T	460	460
1500	4695	4	8T	460	460
1800	5634	4	8T	460	460
2000	6260	4	8T	460	460
2500	7825	4	8T	460	460

DRAWN BY:	KIM PHAM	1800mm x 1200mm BOX	
SCALE:	NTS		
DATE:	NOV. 13, 2015	DIMENSIONS IN mm. FOR VERTICAL INSTALLATION, 2 SWIFT LIFT PINS ON OPPOSITE SIDES. FOR HORIZONTAL INSTALLATION, 4 SWIFT LIFT PINS ON THE SAME SIDE. STEPS AVAILABLE FOR VERTICAL INSTALLATION.	
DRAWING #:	1800mm x 1200mm BOX		
REVISION #:	REV. 1		
CHECKED BY:	TYSON DYCK		
			7336 112th AVE NW. CALGARY, AB. PH: 403-2795531 FAX: 403-279-7648