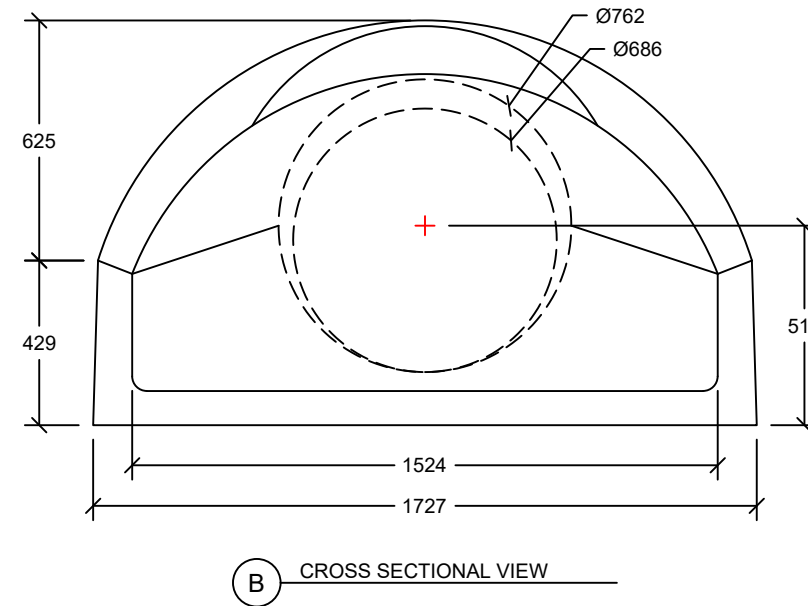
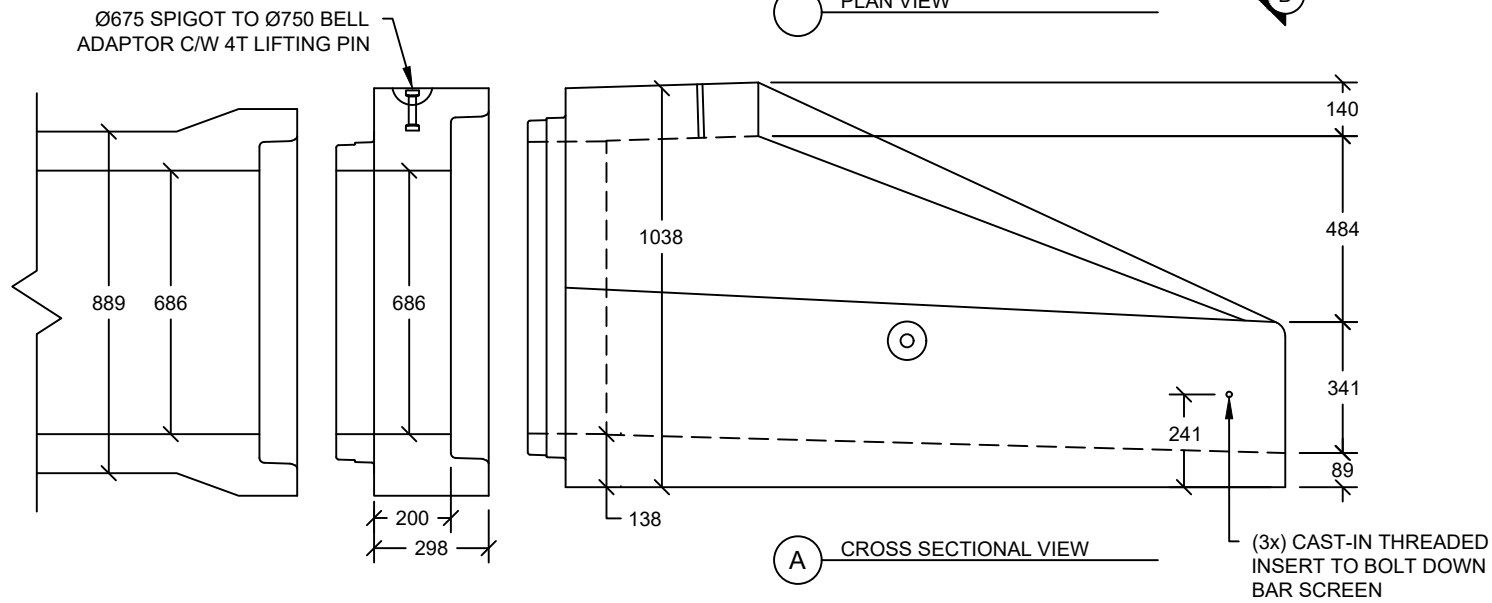
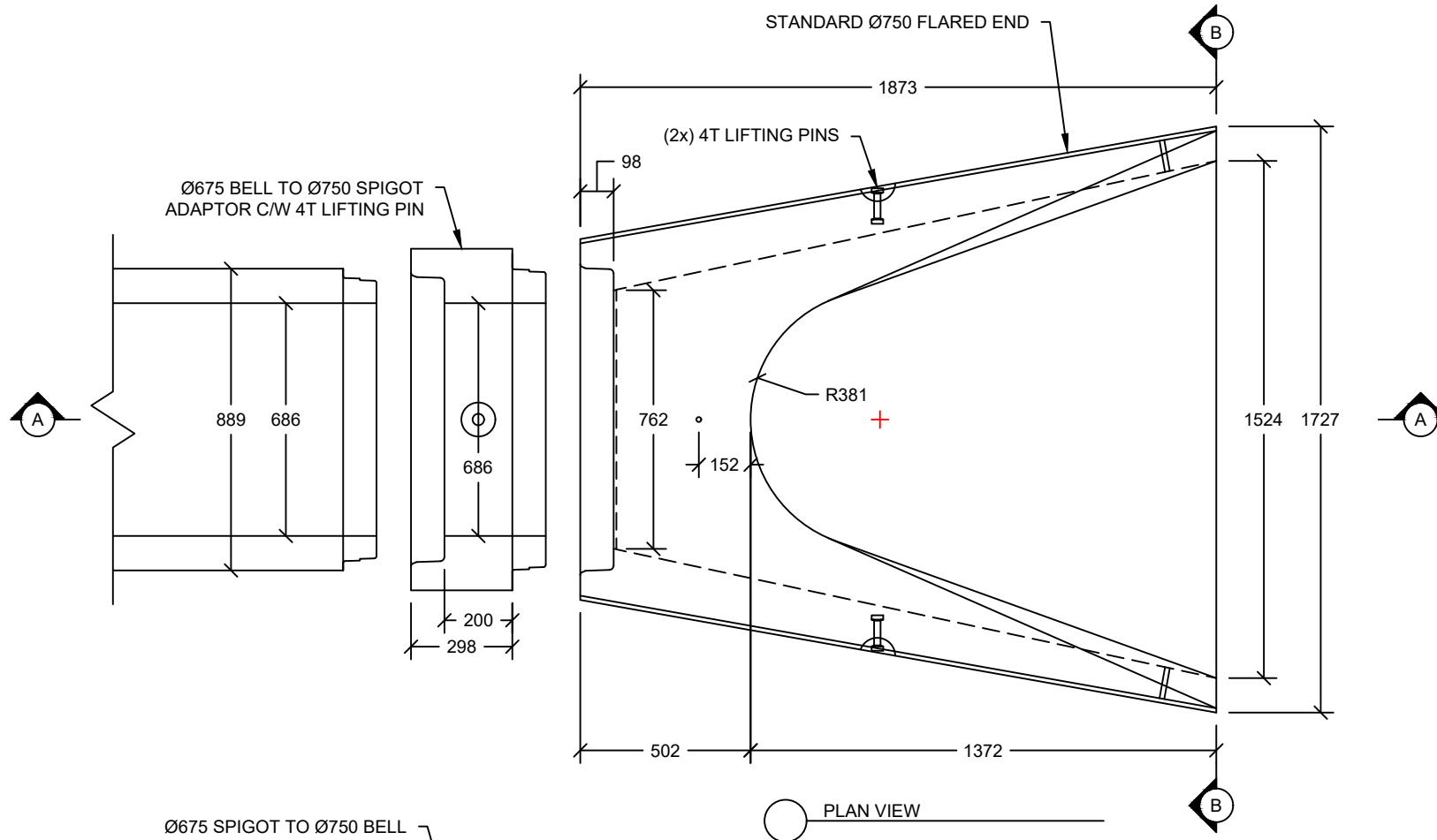


**DESIGN NOTES**

WET CAST	$f_c = 35 \text{ MPa (28d)}$
WET CAST AIR CONTENT	4 - 7 %
EXPOSURE CLASS	F-1
CEMENT	CSA A3001 (HS)
MESH (WWR)	ASTM A1064 (485 MPa)
REBAR	CSA G30.18 (400 MPa)
PRODUCT WEIGHT	
750 FLARED END	1,800 kg
675-750 ADAPTOR	~350 kg
CONFORMANCE	CSA A257

**GENERAL NOTES:**  
1) ALL UNITS IN mm UNLESS NOTED OTHERWISE



FLARED END AVAILABLE WITH EITHER BELL OR SPIGOT JOINT



SHEET TITLE  
**Ø675 FLARED END  
(ADAPTOR TO Ø750 FE)**

PROJECT NAME  
-----

CONTRACTOR  
-----

DRAWN BY	DANIEL ROWE
CHECKED BY	K.M. -
JOB NUMBER	-----
REVISION	REV. 00
DATE	January 18, 2023

- ISSUED FOR APPROVAL
- ISSUED FOR CONSTRUCTION