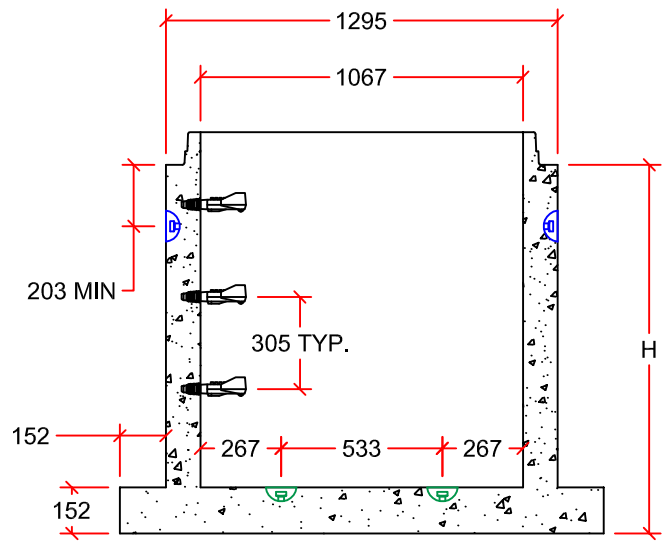
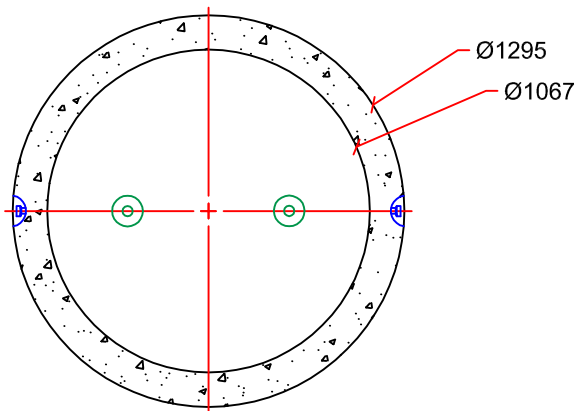


INNER POUR BASE

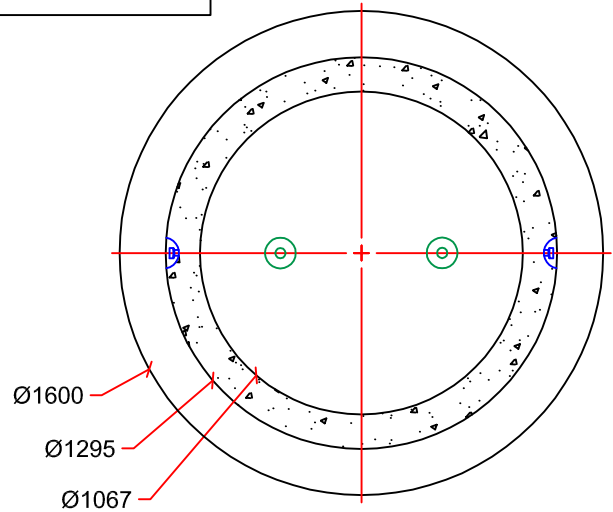


EXTENDED BASE

PIN LOCATION FOR 300mm HIGH BASE
 PIN LOCATION FOR 600mm-1200mm HIGH BASE



AVAILABLE IN 0.3m, 0.6m,
 0.9m, & 1.2m HEIGHTS



AVAILABLE IN 0.3m, 0.6m,
 0.9m, & 1.2m HEIGHTS

HEIGHT (H) (mm)	EXTENDED BASE MASS WITHOUT BENCHING (kg)	MAXIMUM PIPE SIZE FOR PREBENCH MANHOLES (mm)
300	1060	N/A
600	1385	300
900	1765	450
1200	2090	N/A

DRAWN BY:	AARON KLEMETS
SCALE:	NTS
DATE:	NOVEMBER 12, 2015
DRAWING #:	1050 MH BASES
REVISION #:	Rev. 1
CHECKED BY:	TYSON DYCK

1050mm MANHOLE BASES

DIMENSIONS IN mm
 TWO 4T LIFT PINS PROVIDED AS SHOWN



9265 OAK ST. VANCOUVER B.C.
 PH: 604 269-6700 FAX: 604 261-6751