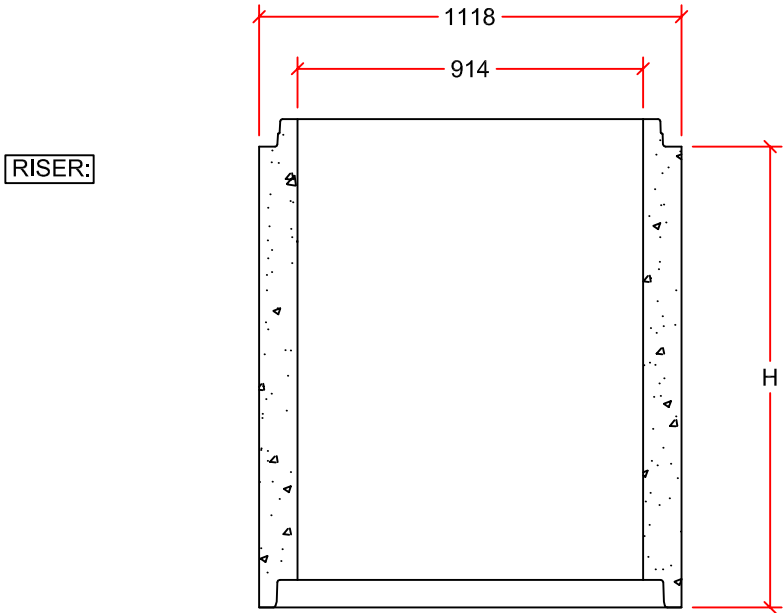
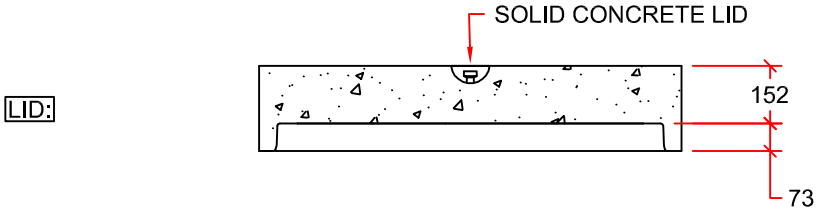
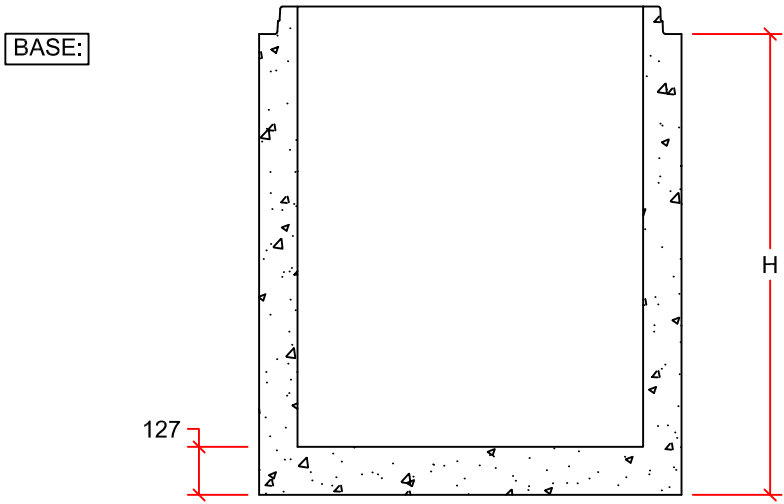


SIDE INLET, CURB STYLE, &
MANHOLE LIDS ALL AVAILABLE



AVAILABLE IN
0.3m, 0.6m, 0.9m,
& 1.2m HEIGHTS



AVAILABLE IN 0.6m,
0.9m, & 1.2m HEIGHTS

1420mm ROUND EXTENDED
BASE ALSO AVAILABLE

DRAWN BY:	AARON KLEMETS	900mm CATCH BASIN (TYP)
SCALE:	NTS	
DATE:	DECEMBER 3, 2015	ALL DIMENSIONS IN mm
DRAWING #:	900 CB (TYP)	
REVISION #:	REV. 0	
CHECKED BY:	MATTHEW DEMEDEIROS	



9265 OAK ST. VANCOUVER B.C.
PH: 604 269-6700 FAX: 604 261-6751