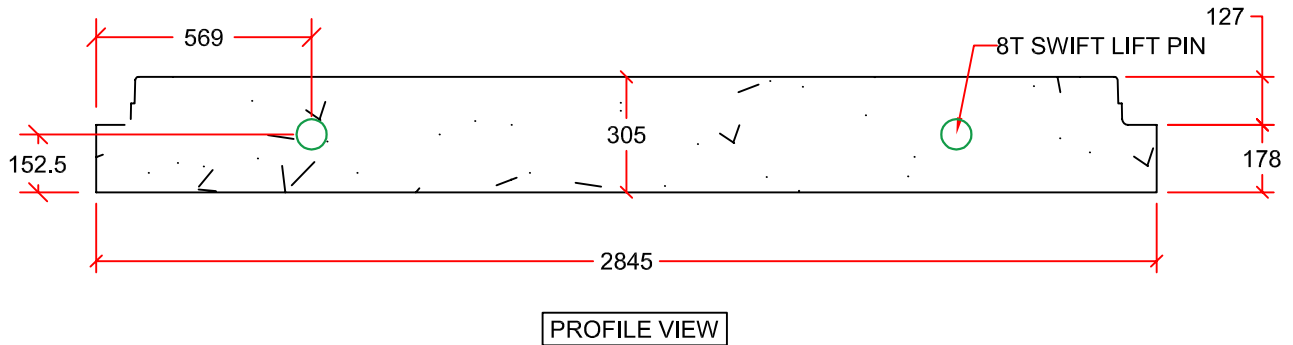


HORIZONTAL INSTALLATION
VERTICAL INSTALLATION



DRAWN BY:	KIM PHAM	2400mm x 1800mm BASE/PLUG	<p>INLAND Pipe</p> <p>7336 112th AVE NW. CALGARY, AB. PH: 403-2795531 FAX: 403-279-7648</p>
SCALE:	NTS		
DATE:	NOV. 5, 2015	DIMENSIONS IN mm. APPROX MASS 4203 KG. FOR VERTICAL INSTALLATION, 4 SWIFT LIFT PINS ON TOP SURFACE OF BASE. FOR HORIZONTAL INSTALLATION, 2 SWIFT LIFT PINS ON THE TOP SIDE OF PLUG.	
DRAWING #:	2400mm x 1800mm BASE/PLUG		
REVISION #:	REV. 1		
CHECKED BY:	TYSON DYCK		