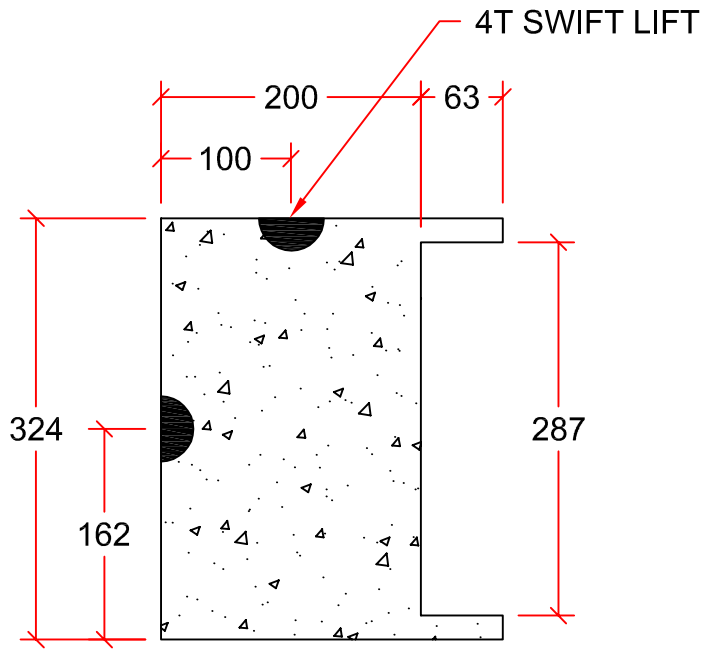
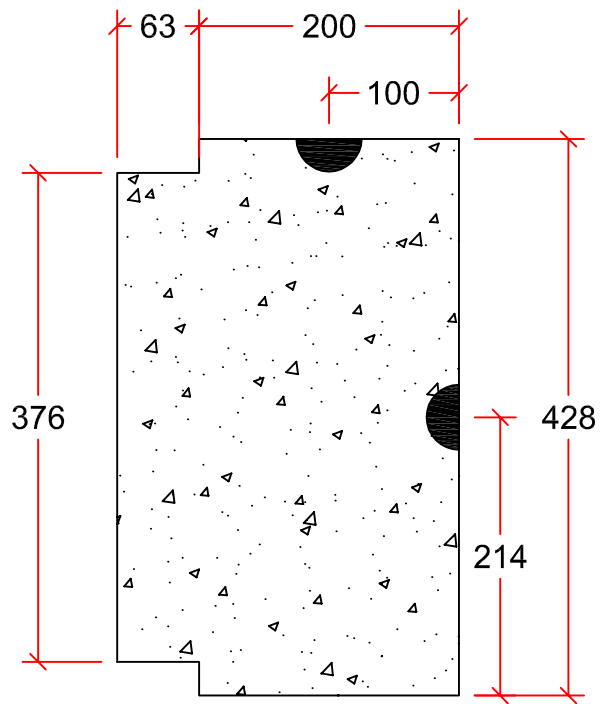


**CAP**

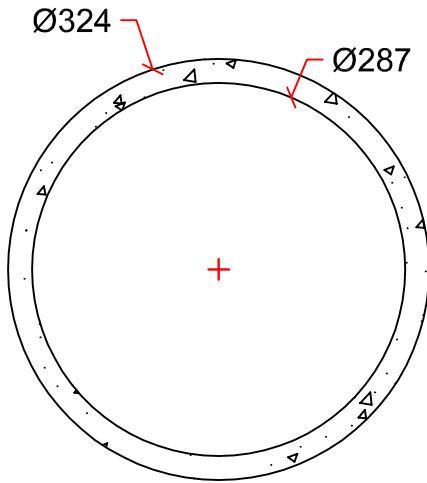


**SIDE VIEW**

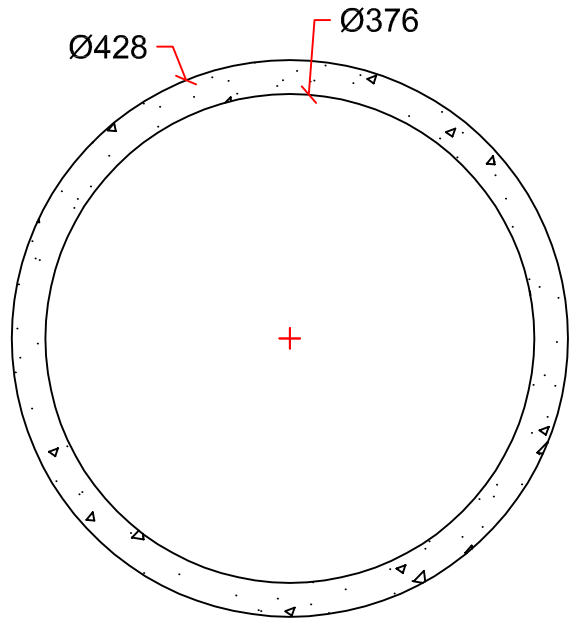
**PLUG**



**SIDE VIEW**



**FRONT VIEW**



**FRONT VIEW**

DRAWN BY:	LUCAS STEFAN	Ø250mm PCA (NAB)	<b>INLAND</b> <b>Pipe</b> 7336 112th AVE. NW. CALGARY, AB. PH: 403 279-5531 FAX: 403 279-7648
SCALE:	NTS		
DATE:	NOVEMBER 4, 2015	(2) 4T SWIFT LIFTS ON EACH	
DRAWING #:	250 PCA (NAB)	APPROX. MASS: CAP: 42.2 kg PLUG: 85.9 kg	
REVISION #:	REV. 1	DIMENSIONS IN mm	
CHECKED BY:	TYSON DYCK		