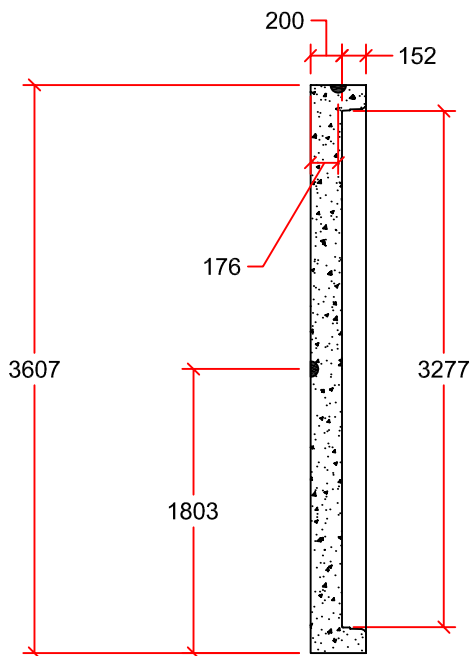
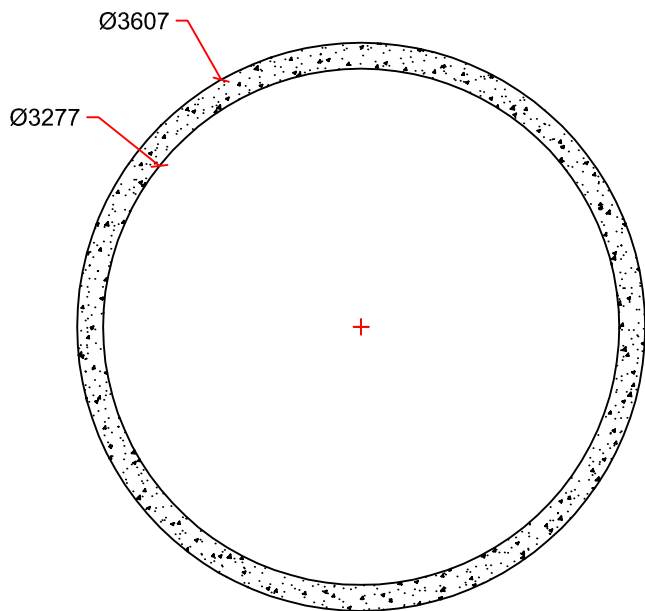


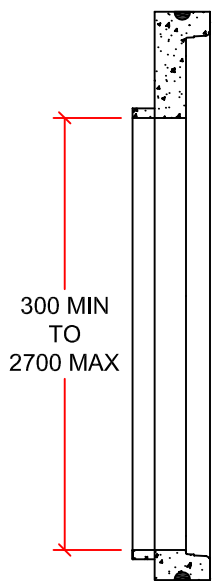
CAP



PROFILE VIEW

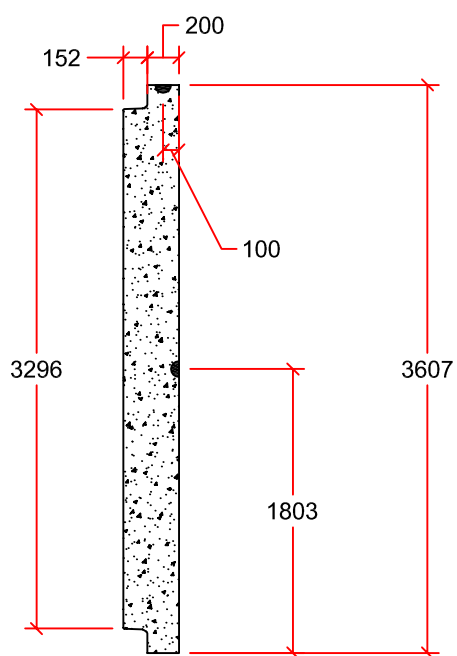


SECTION DETAIL

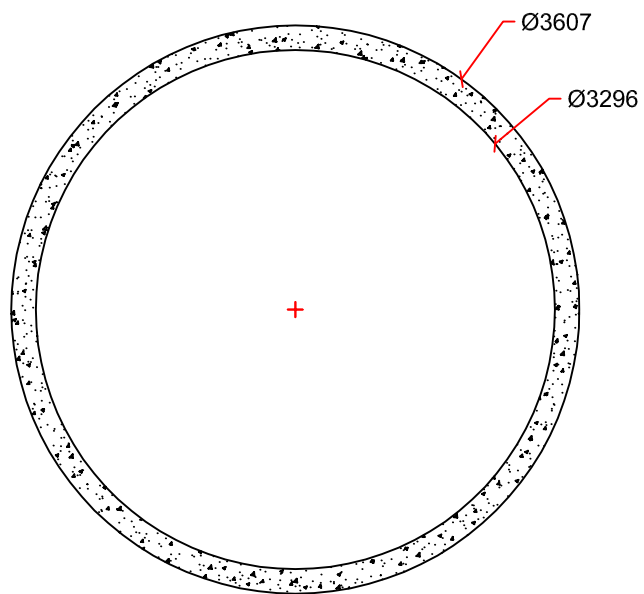


DECREASER

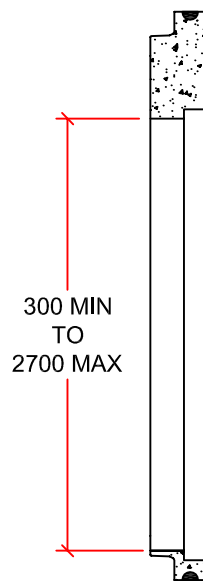
PLUG



PROFILE VIEW



SECTION DETAIL



INCREASER

ADAPTORS

DRAWN BY:	LUCAS STEFAN
SCALE:	NTS
DATE:	NOVEMBER 17, 2015
DRAWING #:	Ø3000 PCA (SAB)
REVISION #:	REV. 1
CHECKED BY:	TYSON DYCK

Ø3000mm PCA (SAB)	
(2) 4T SWIFT LIFTS ON EACH	
APPROX. MASS: CAP:5553 kg PLUG:8024 kg	
DIMENSIONS IN mm	

INLAND
Pipe
7336 112th AVE. NW. CALGARY, AB.
PH: 403 279-5531 FAX: 403 279-7648