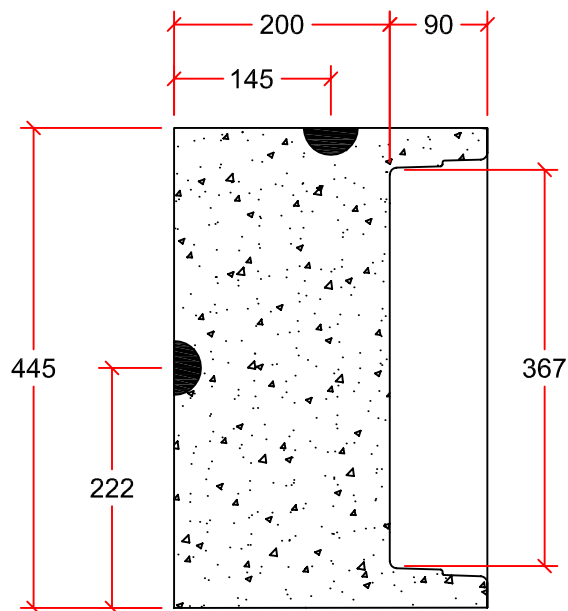
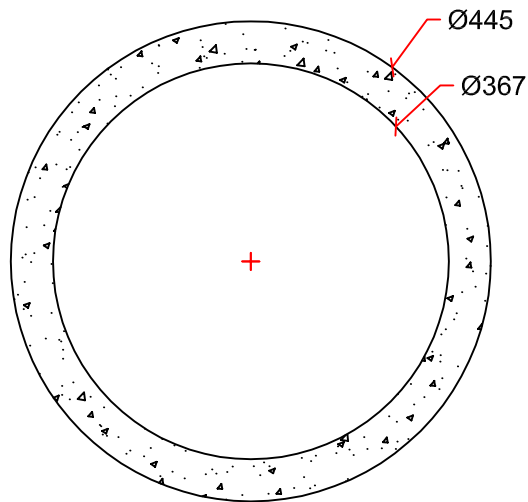


**CAP**

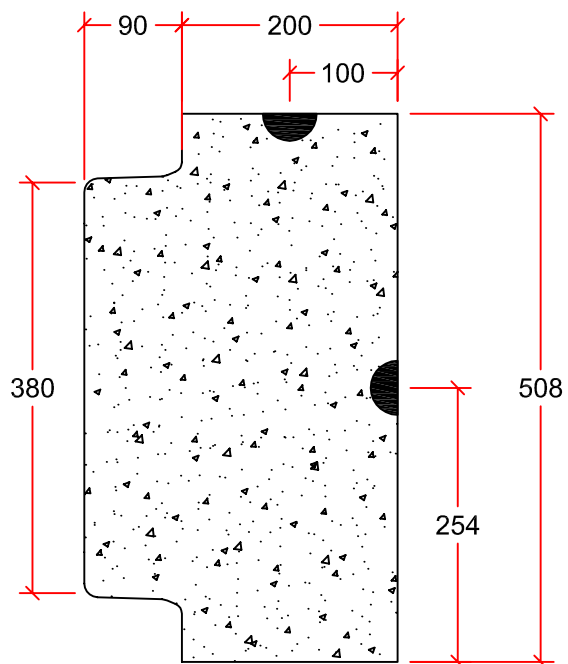


**SIDE VIEW**

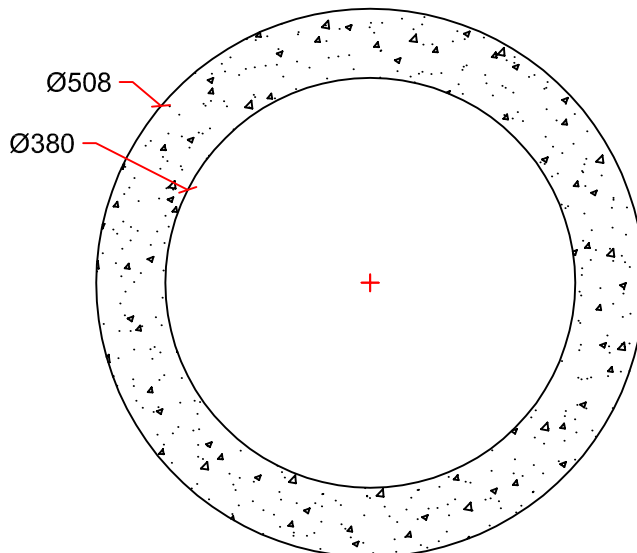


**FRONT VIEW**

**PLUG**



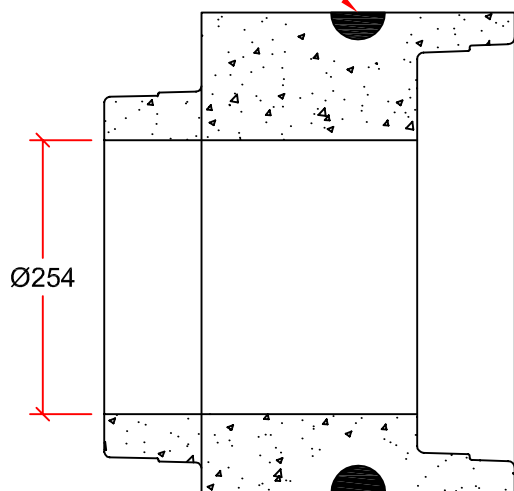
**SIDE VIEW**



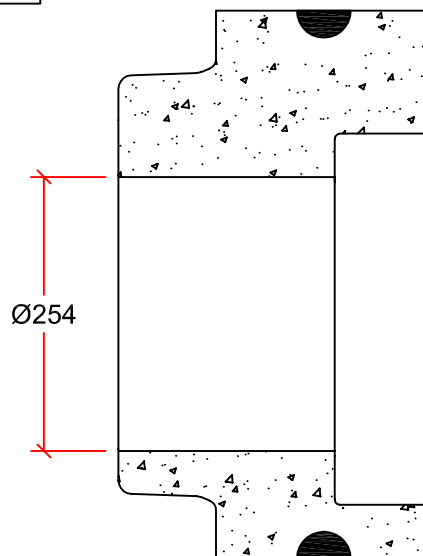
**FRONT VIEW**

**ADAPTORS**

4T SWIFT LIFT



**DECREASER**



**INCREASER**

DRAWN BY:	LUCAS STEFAN
SCALE:	NTS
DATE:	NOVEMBER 4, 2015
DRAWING #:	Ø300 PCA (NAB)
REVISION #:	REV. 1
CHECKED BY:	TYSON DYCK

Ø300mm PCA (NAB)	
(2) 4T SWIFT LIFTS ON EACH	
APPROX. MASS: CAP: 86 kg	PLUG: 122kg
DIMENSIONS IN mm	

**INLAND**  
Pipe  
7336 112th AVE. NW. CALGARY, AB.  
PH: 403 279-5531 FAX: 403 279-7648