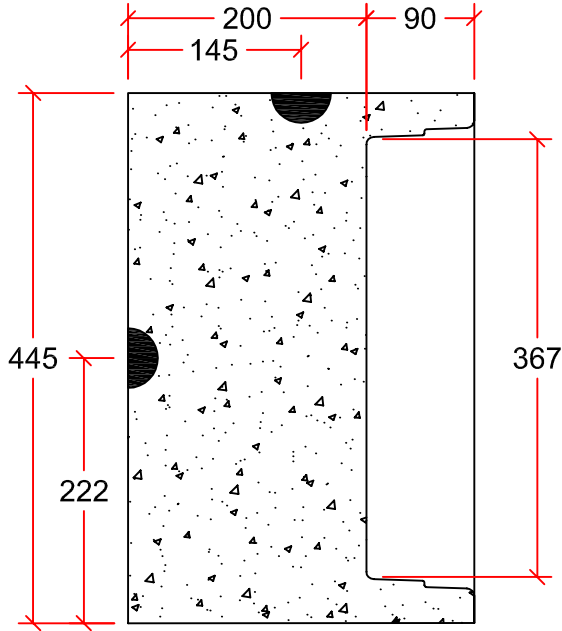
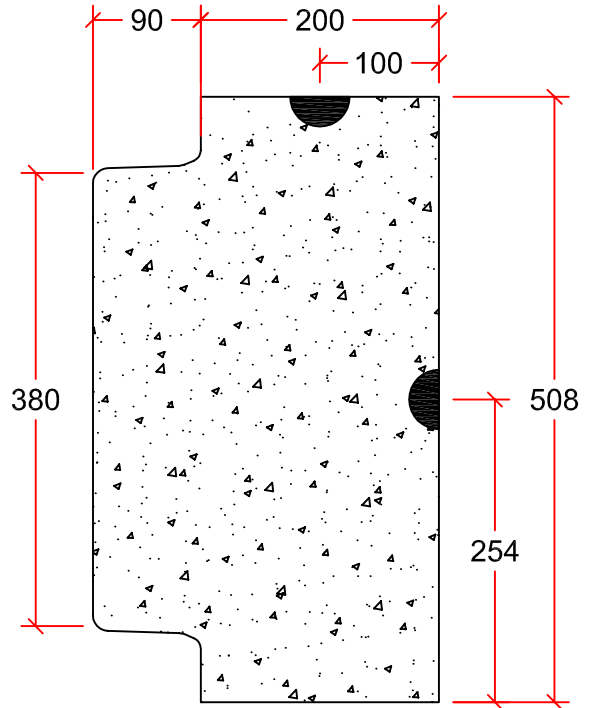


CAP

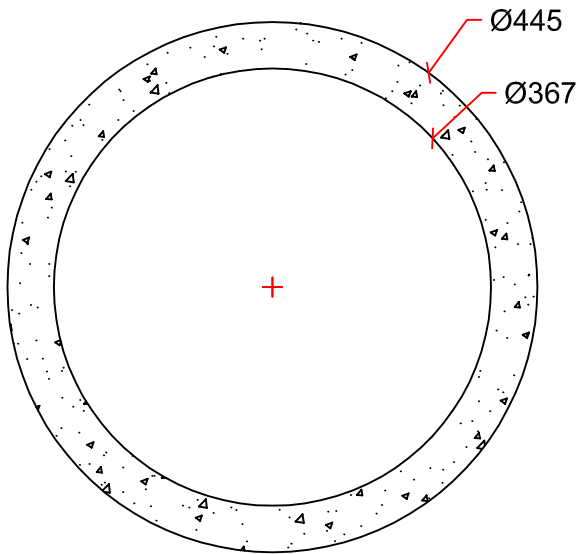


SIDE VIEW

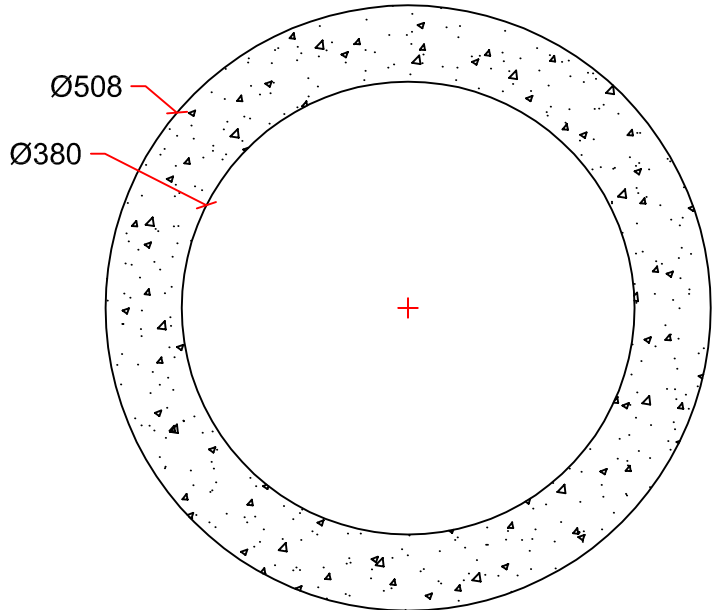
PLUG



SIDE VIEW



FRONT VIEW



FRONT VIEW

DRAWN BY:	LUCAS STEFAN	Ø300mm PCA (SAB)	INLAND Pipe 7336 112th AVE. NW. CALGARY, AB. PH: 403 279-5531 FAX: 403 279-7648
SCALE:	NTS		
DATE:	NOVEMBER 4, 2015	(2) 4T SWIFT LIFTS ON EACH	
DRAWING #:	Ø300 PCA (SAB)	APPROX. MASS: CAP: 86 kg PLUG: 122 kg	
REVISION #:	REV. 1	DIMENSIONS IN mm	
CHECKED BY:	TYSON DYCK		