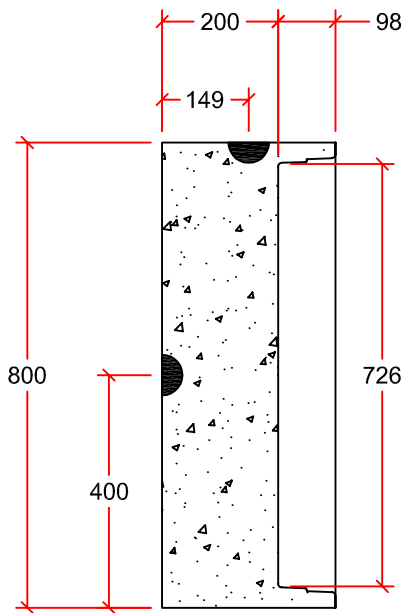
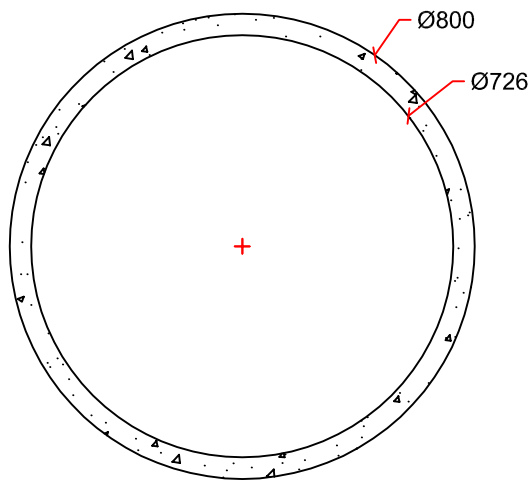


CAP

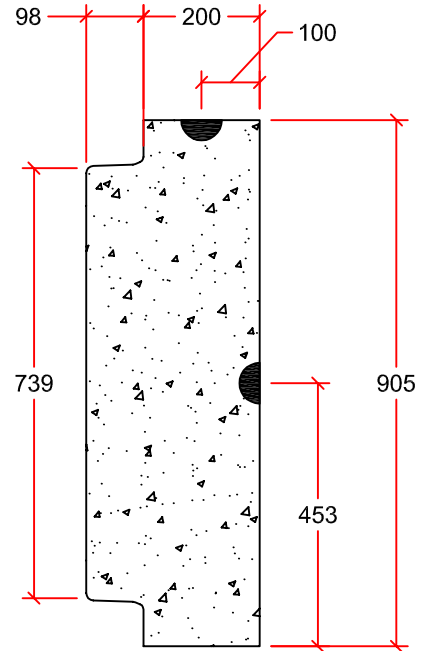


PROFILE VIEW

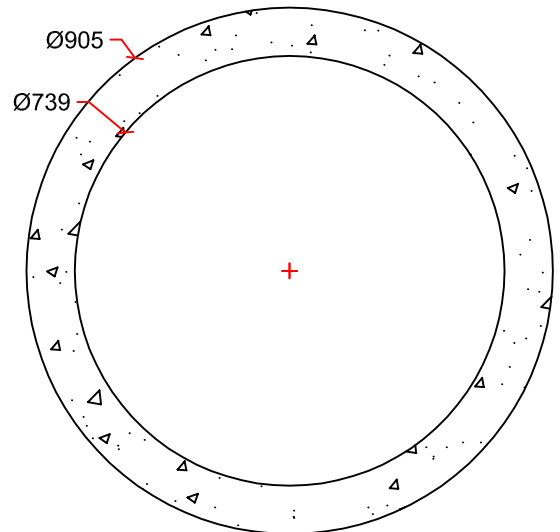


SECTION DETAIL

PLUG

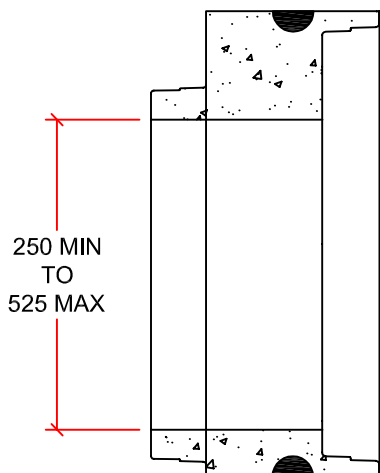


PROFILE VIEW

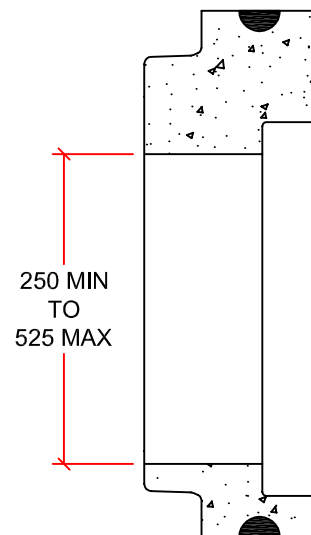


SECTION DETAIL

ADAPTORS



DECREASER



INCREASER

DRAWN BY:	LUCAS STEFAN	Ø600mm PCA (NAB)	INLAND Pipe 7336 112th AVE. NW. CALGARY, AB. PH: 403 279-5531 FAX: 403 279-7648
SCALE:	NTS		
DATE:	NOVEMBER 16, 2015	(2) 4T SWIFT LIFTS ON EACH	
DRAWING #:	Ø600 PCA (NAB)	APPROX. MASS: CAP:262 kg PLUG:410 kg	
REVISION #:	REV. 1	DIMENSIONS IN mm	
CHECKED BY:	TYSON DYCK		