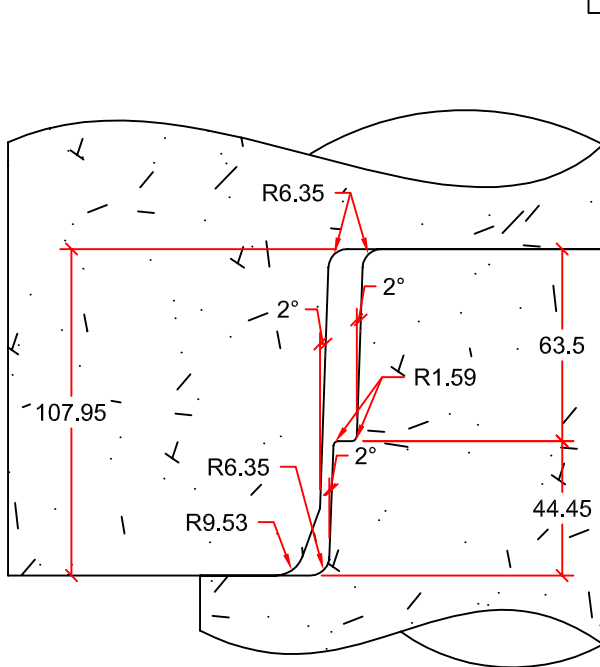
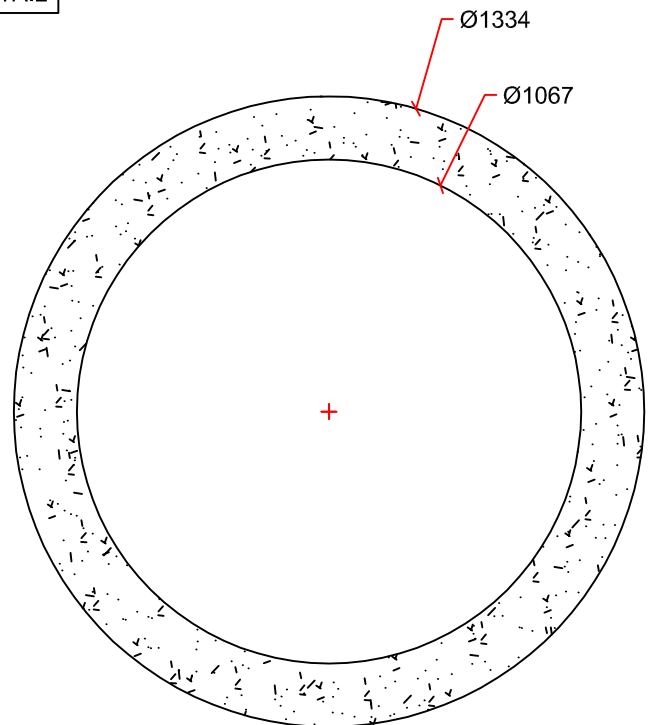


PIPE DETAIL



JOINT DETAIL



SECTION DETAIL

| | | | |
|-------------|--------------------------|------------------------------|--|
| DRAWN BY: | LUCAS STEFAN | 1050mm x 2.5m (TYP) PIPE | INLAND Pipe 7336 112th AVE. NW. CALGARY, AB. PH: 403 279-5531 FAX: 403 279-7648 |
| SCALE: | NTS | | |
| DATE: | NOVEMBER 2, 2015 | APPROXIMATE WEIGHT: 2,980 kg | |
| DRAWING #: | 1050mm x 2.5m (TYP) PIPE | DIMENSIONS IN mm | |
| REVISION #: | REV. 1 | | |
| CHECKED BY: | TYSON DYCK | | |