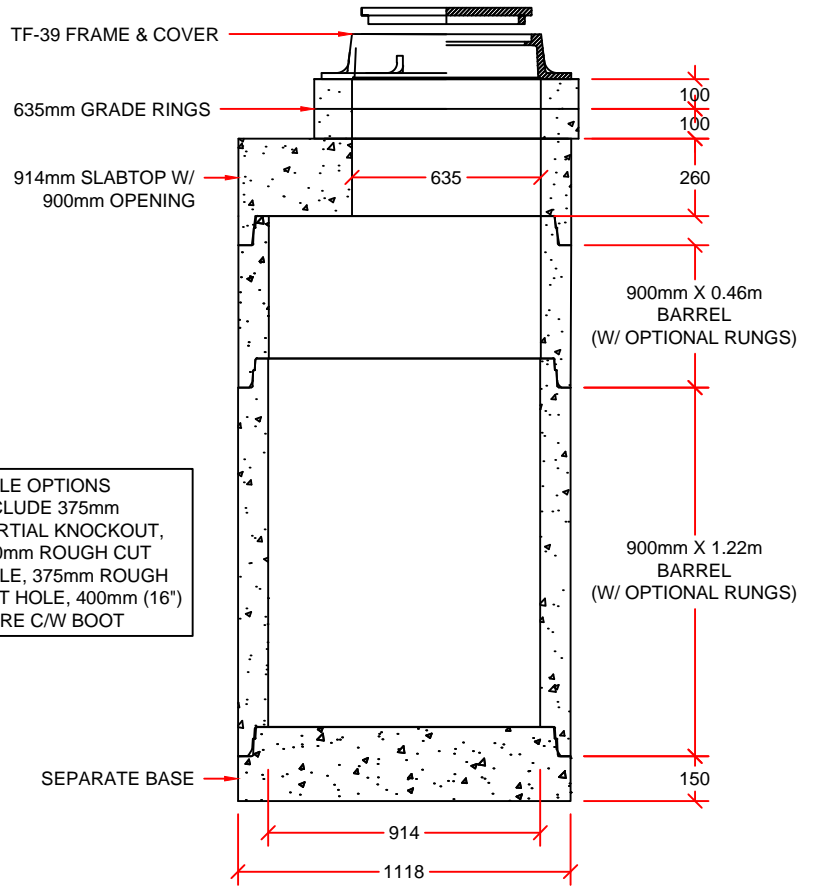


TYPICAL 900mm CATCH BASIN W/ T-TOP



TYPICAL 900mm CATCH BASIN W/ TF-39 FRAME & COVER AND SEPARATE BASE

HOLE OPTIONS
INCLUDE 375mm
PARTIAL KNOCKOUT,
300mm ROUGH CUT
HOLE, 375mm ROUGH
CUT HOLE, 400mm (16")
CORE C/W BOOT

DRAWN BY:	LUCAS STEFAN
SCALE:	NTS
DATE:	NOVEMBER 20, 2015
DRAWING #:	900mm CB TYP. BUILDUPS
REVISION #:	Rev. 1
CHECKED BY:	TYSON DYCK

900mm CATCH BASIN TYP. BUILDUPS
DIMENSIONS IN mm

INLAND
Pipe
7336 112th AVE. NW. CALGARY, AB.
PH: 403 279-5531 FAX: 403 279-7648