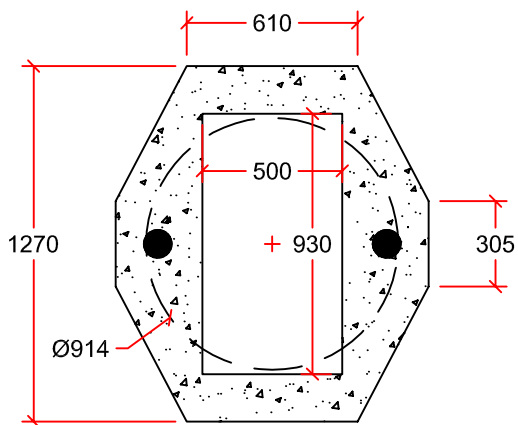
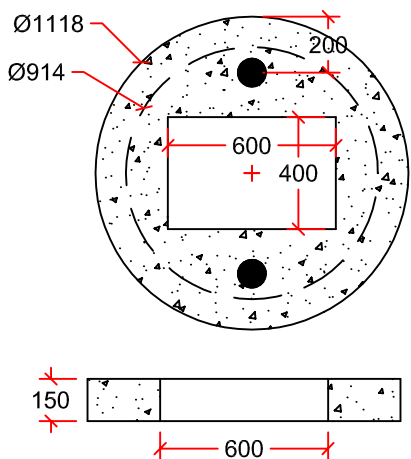


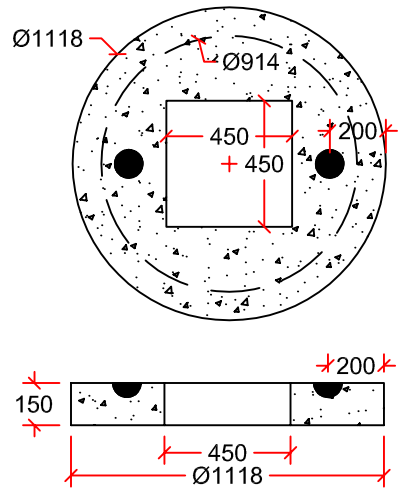
CB TYPE K1 TOP



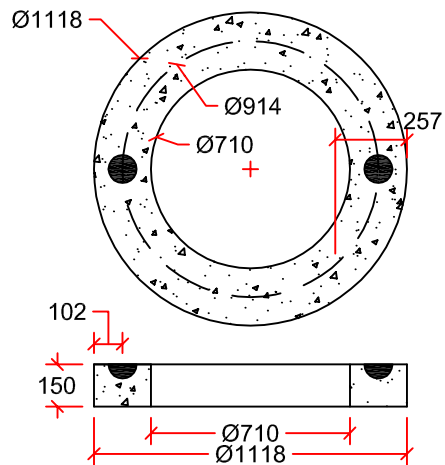
CB TYPE K2 TOP



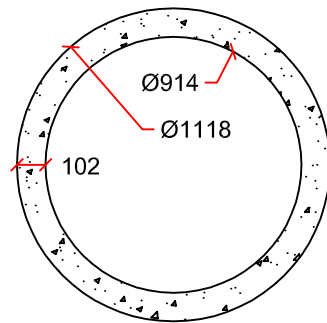
CB TYPE K3 TOP



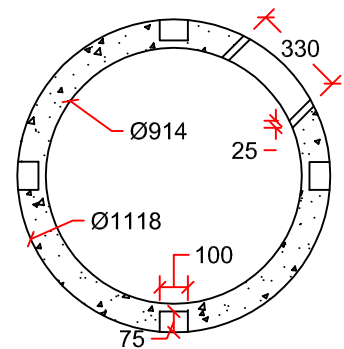
CB TYPE E TOP



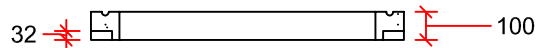
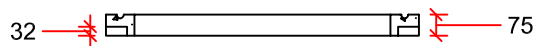
CB TYPE M TOP



TOP VIEW



BOTTOM VIEW



914mm GRADE RINGS

DRAWN BY:	LUCAS STEFAN	Ø900mm CATCH BASIN SLAB TOPS	INLAND Pipe
SCALE:	NTS		
DATE:	NOVEMBER 19, 2015	DIMENSIONS IN mm	7336 112th AVE. NW. CALGARY, AB. PH: 403 279-5531 FAX: 403 279-7648
DRAWING #:	900mm CB SLAB TOPS		
REVISION #:	Rev. 1		
CHECKED BY:	TYSON DYCK		