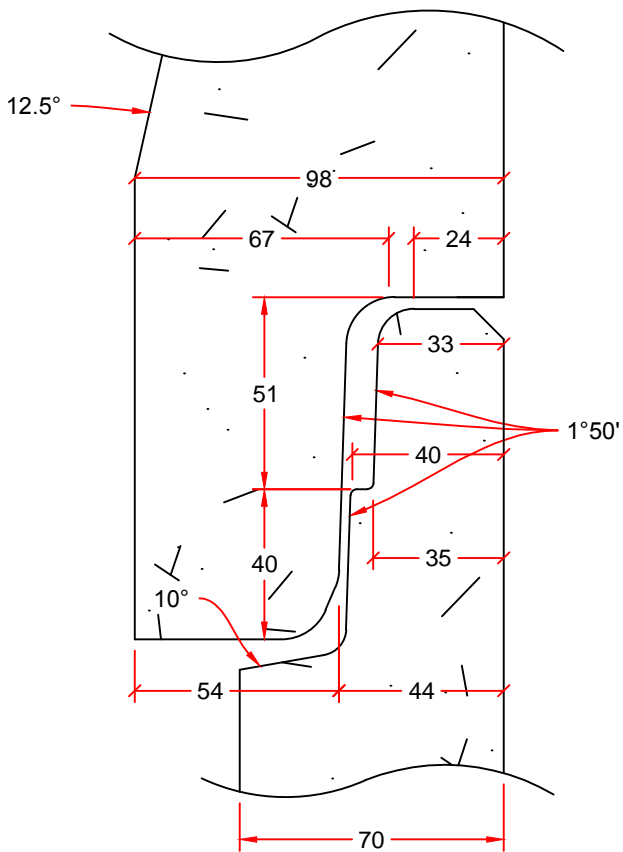
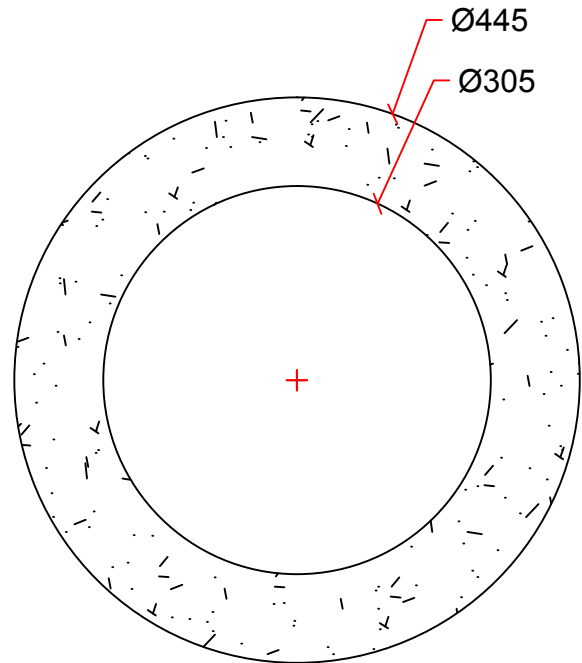


PIPE DETAIL



JOINT DETAIL



SECTION DETAIL

DRAWN BY:	SAM HAN
SCALE:	NTS
DATE:	NOVEMBER 10, 2015
DRAWING #:	Ø300mm x 2.5m B&S PIPE
REVISION #:	REV. 1
CHECKED BY:	TYSON DYCK

Ø300mm x 2.5m BELL & SPIGOT PIPE	
DIMENSIONS IN mm	
APPROXIMATE MASS: 550 kg	

**INLAND**  
Pipe

2494 FERRIER ST. WINNIPEG, MB.  
PH: 204 334-4300 FAX: 204 334-7957