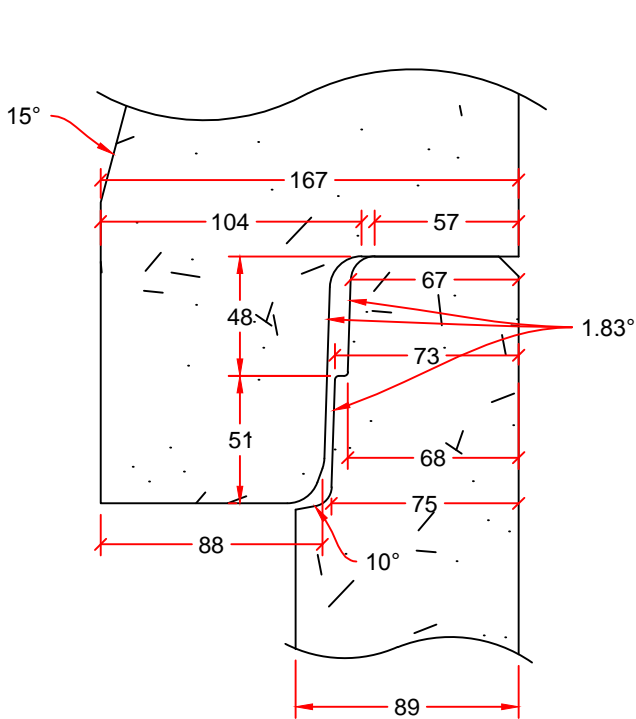
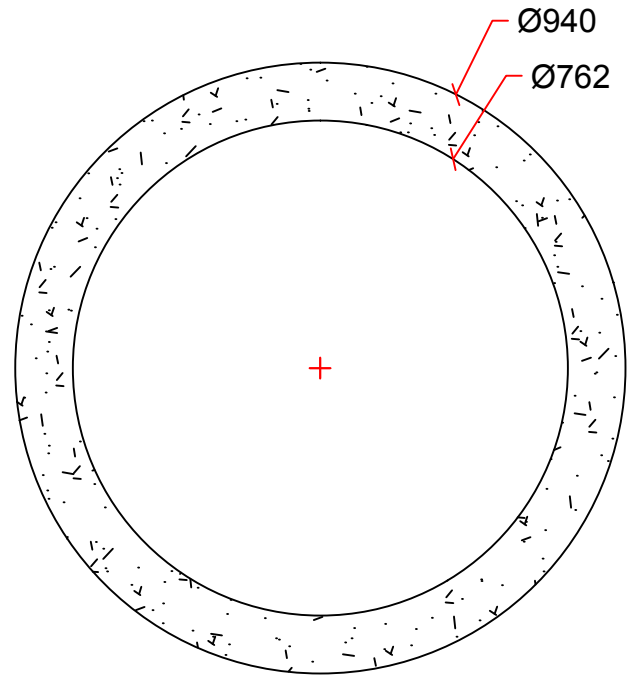



PIPE DETAIL



JOINT DETAIL



SECTION DETAIL

| | | | |
|-------------|------------------------|----------------------------------|---|
| DRAWN BY: | SAM HAN | Ø750mm X 2.5m BELL & SPIGOT PIPE |  2494 FERRIER ST. WINNIPEG, MB. PH: 204 334-4300 FAX: 204 334-7957 |
| SCALE: | NTS | | |
| DATE: | NOVEMBER 10, 2015 | DIMENSIONS IN mm | |
| DRAWING #: | Ø750mm X 2.5m B&S PIPE | APPROXIMATE MASS: 1638 kg | |
| REVISION #: | REV. 1 | | |
| CHECKED BY: | TYSON DYCK | | |