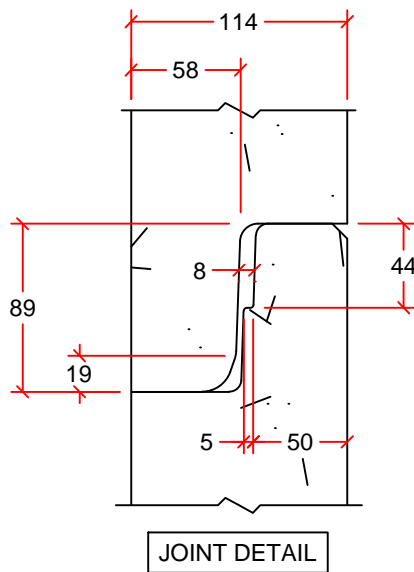


AVAILABLE IN 0.31m, 0.46m, 0.61m, 0.92m,
1.22m, 1.83m, AND 2.44m LENGTHS



HEIGHT (H) (mm)	MASS (kg)	NUMBER OF PINS	LOAD RATING	D (mm)
310	760	2	4T	127
460	915	2	4T	152
610	1070	2	4T	203
920	1390	2	4T	203
1220	1700	2	4T	203
1830	2334	2	4T	203
650 Prebench	1350	2	4T	203
920 Prebench	1545	2	4T	203
1220 Prebench	2242	2	4T	203

DRAWN BY:	SAM HAN
SCALE:	NTS
DATE:	DECEMBER 07, 2015
DRAWING #:	1050mm MH BASE
REVISION #:	REV. 1
CHECKED BY:	TYSON DYCK

1050mm MANHOLE BASE	
DIMENSIONS IN mm INNER POUR BASE	

INLAND
Pipe

3000 10th AVE. REGINA, SK.
PH: 204 334-4300 FAX: 204 334-7957