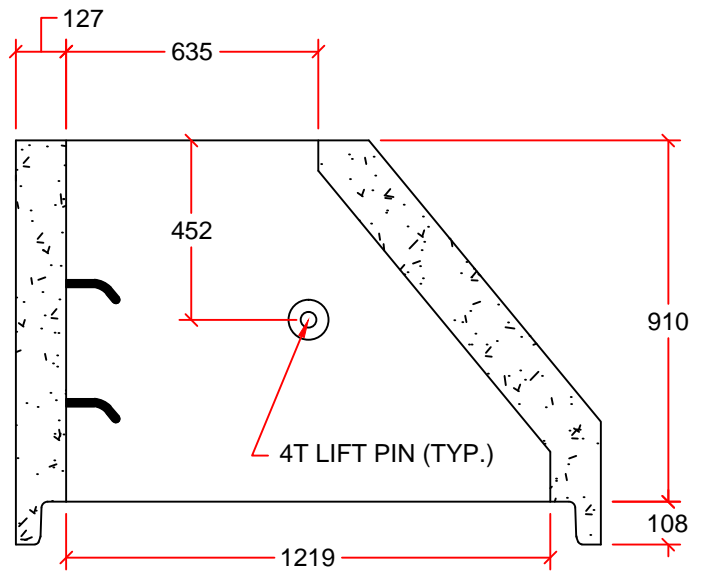
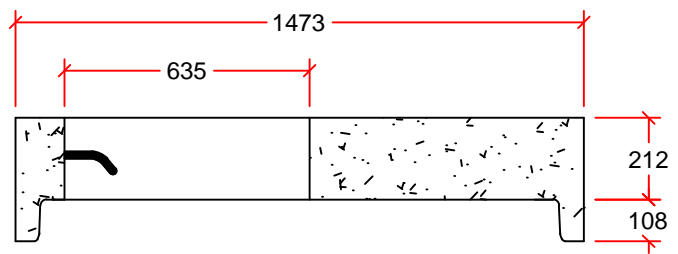
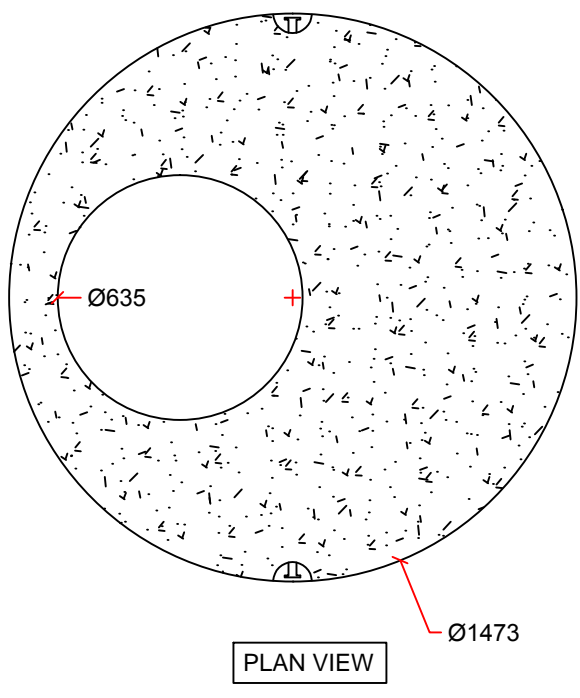
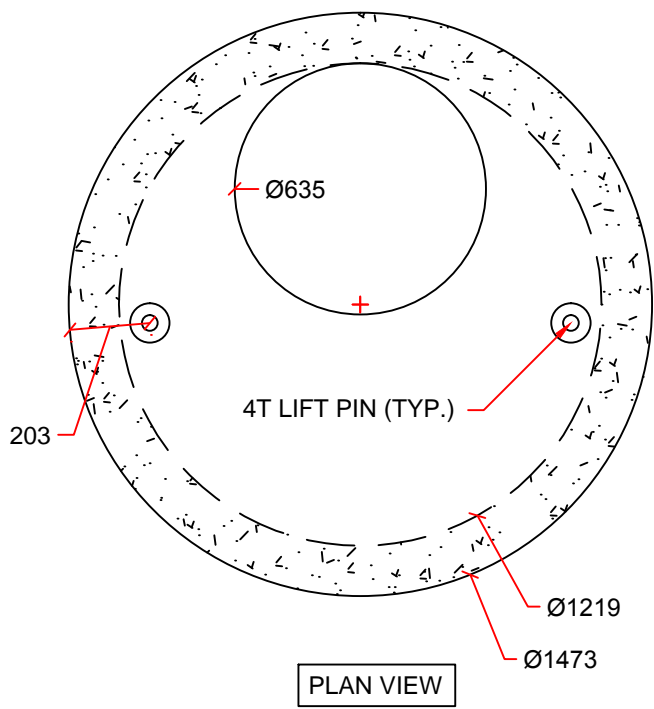


1200mm SLAB TOP  
W/ 635mm OPENING

1200mm/635mm x 0.91m  
CONICAL TOP



DRAWN BY:	SAM HAN
SCALE:	NTS
DATE:	NOVEMBER 18, 2015
DRAWING #:	1200mm SLAB TOP
REVISION #:	REV. 1
CHECKED BY:	TYSON DYCK

1200mm/635mm  
MANHOLE SLAB TOP  
DIMENSIONS IN mm

**INLAND**  
**Pipe**  
3000 10th AVE. REGINA, SK.  
PH: 204 334-4300 FAX: 204 334-7957