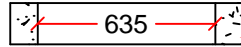


FRAME AND COVER:

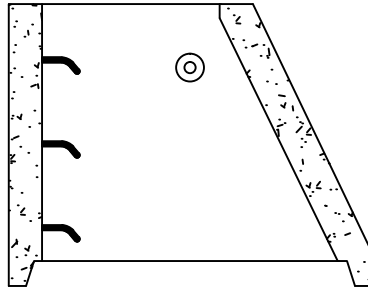


ADJUSTING RINGS:



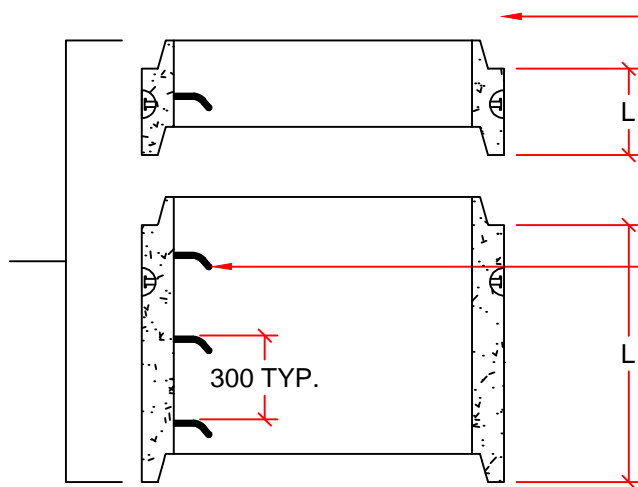
ADJUSTING RINGS AVAILABLE IN 50mm, 100mm, AND 150mm

REDUCER:



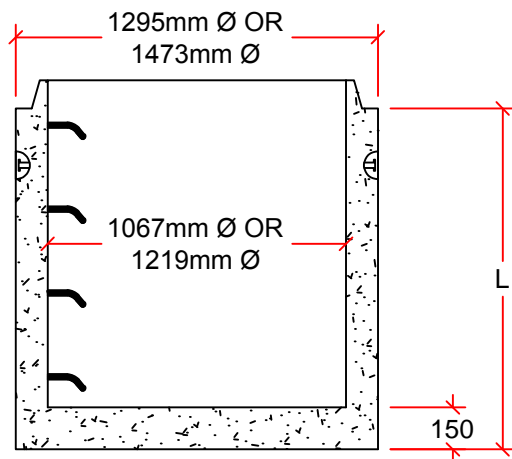
REDUCERS AVAILABLE:
 1050mm/635mm x 0.2m FLAT REDUCER,
 1050mm/635mm x 0.92m CONICAL TOP,
 1200mm/635mm x 0.2m FLAT REDUCER,
 1200mm/635mm x 0.91m CONICAL TOP

RISERS:



RISERS AVAILABLE IN
 0.31m, 0.46m, 0.61m, 0.92m,
 1.22m, AND 1.83m HEIGHTS

19mm Ø RUNGS @ 300 O/C



BASES AVAILABLE IN
 0.46m, 0.61m, 0.92m,
 1.22m, AND 1.83m HEIGHTS

CONCRETE FLOOR CAN BE:
 FIELD CAST: TYPE A
 OR
 PRECAST: TYPE A1
 OR
 PREBENCHED

DRAWN BY:	SAM HAN
SCALE:	NTS
DATE:	NOVEMBER 12, 2015
DRAWING #:	STANDARD MH DETAILS
REVISION #:	REV. 1
CHECKED BY:	TYSON DYCK

STANDARD MANHOLE DETAILS	
DIMENSIONS IN mm	

INLAND
Pipe
 3000 10th AVE. REGINA, SK.
 PH: 204 334-4300 FAX: 204 334-7957