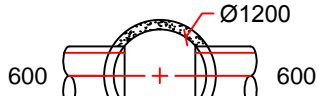
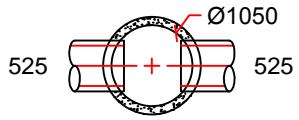
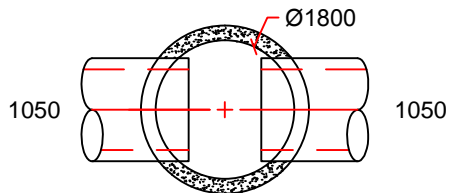
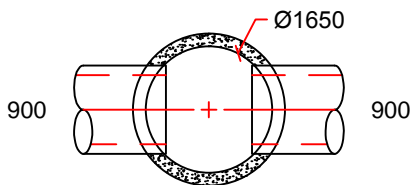
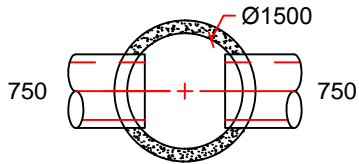
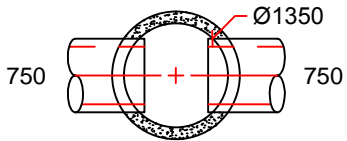


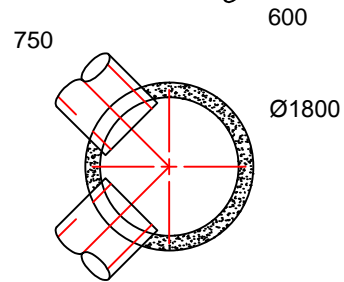
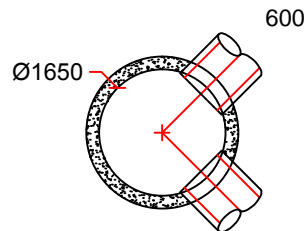
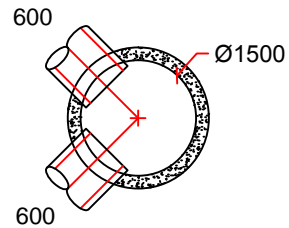
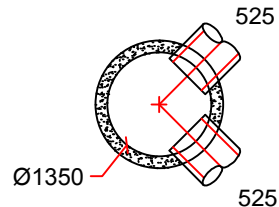
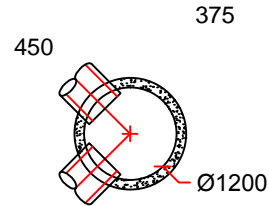
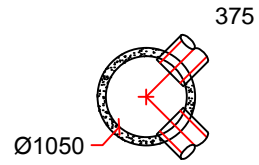
MAXIMUM PIPE SIZE FOR STRAIGHT THROUGH INSTALLATION



COW spec max for 1200mm - 525 mm pipe



MAXIMUM PIPE SIZE FOR RIGHT ANGLE INSTALLATION



DRAWN BY:	Julian Sigurdson
SCALE:	NTS
DATE:	JULY 23, 2014
DRAWING #:	MAX-MH-1050-1800
REVISION #:	Rev. 1
CHECKED BY:	

Maximum Pipe Sizes for Manholes
1050mm To 1800mm Manholes

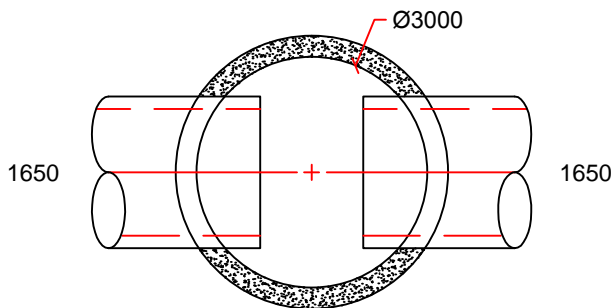
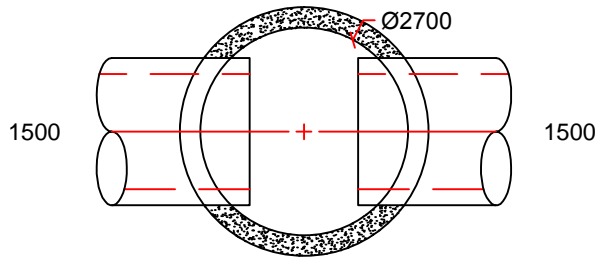
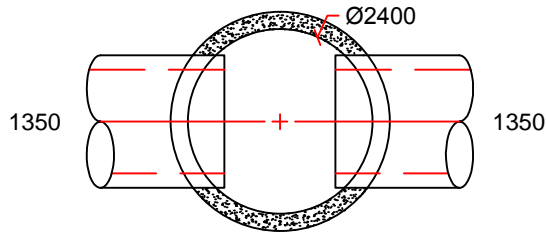
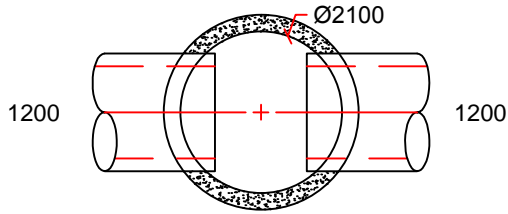
All dimensions are for concrete pipe

Non-standard angles possible, call for specific project situations

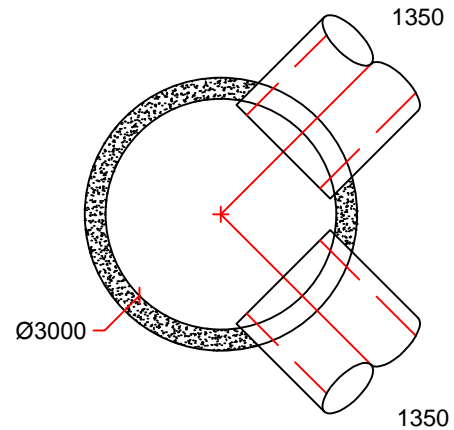
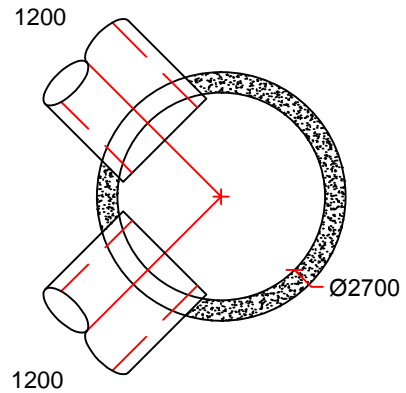
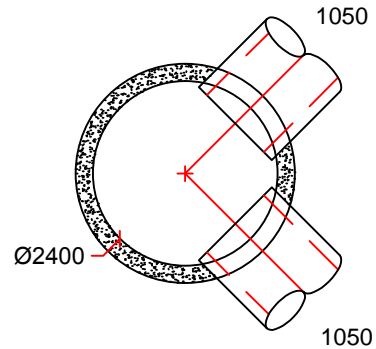
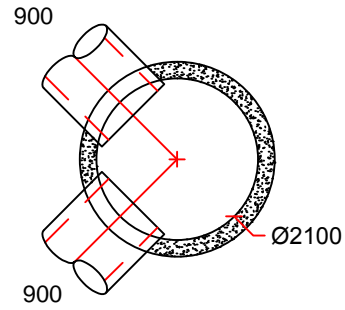
INLAND
Pipe

2494 FERRIER ST. WINNIPEG, MB.
PH: 204 334-4300 FAX: 204 334-7957

**MAXIMUM PIPE SIZE FOR
STRAIGHT THROUGH
INSTALLATION**



**MAXIMUM PIPE SIZE FOR RIGHT
ANGLE INSTALLATION**



DRAWN BY:	Julian Sigurdson
SCALE:	NTS
DATE:	JULY 23, 2014
DRAWING #:	MAX-MH-2100-3000
REVISION #:	Rev. 1
CHECKED BY:	

Maximum Pipe Sizes for Manholes
2100mm To 3000mm Manholes

All dimensions are for concrete pipe

Non-standard angles possible, call for specific project situations

INLAND
Pipe

2494 FERRIER ST. WINNIPEG, MB.
PH: 204 334-4300 FAX: 204 334-7957