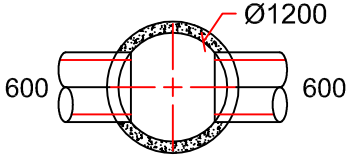
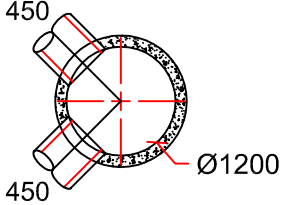
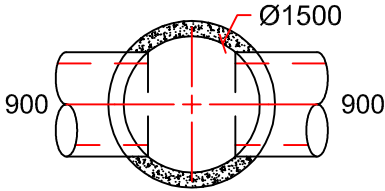
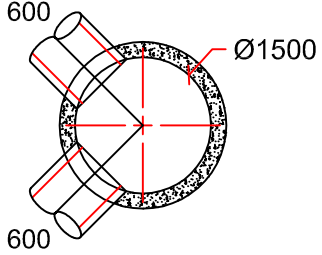
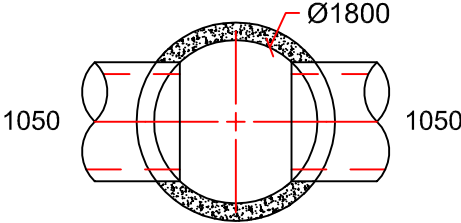
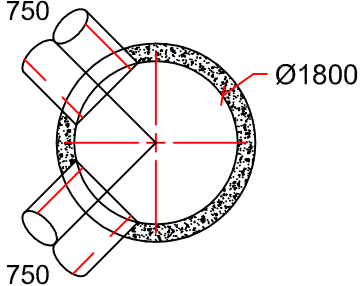
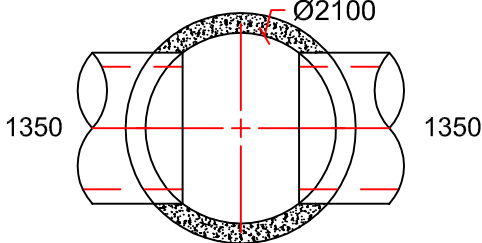
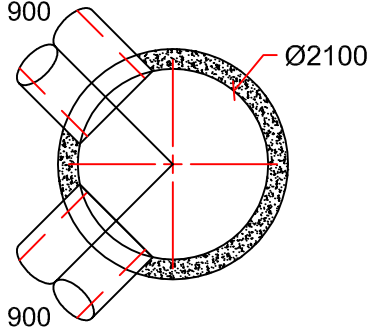



<p align="center">MANHOLE INSIDE DIAMETER (NOMINAL) mm</p>	<p align="center">MAXIMUM PIPE SIZE FOR STRAIGHT THROUGH INSTALLATION</p>	<p align="center">MAXIMUM PIPE SIZE FOR RIGHT ANGLE INSTALLATION</p>
<p align="center"><u>1200</u></p>		
<p align="center"><u>1500</u></p>	 <p align="center">(Max. 750mm for City of Calgary)</p>	
<p align="center"><u>1800</u></p>		
<p align="center"><u>2100</u></p>		

All units in mm

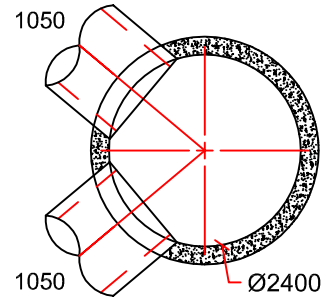
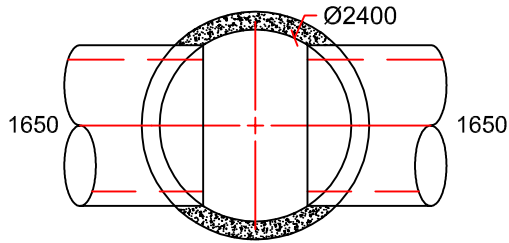
DRAWN BY:	Henry Lu	<p align="center">Maximum Pipe Sizes for Manholes</p>	 <p>7336 112th AVE. NW. CALGARY, AB. PH: 403 279-5531 FAX: 403 279-7648</p>
SCALE:	1:100		
DATE:	August 1, 2014	Non-standard angles possible	
DRAWING #:	MAX-MH-1050-2100	Call for specific project situations	
REVISION #:	Rev. 1		
CHECKED BY:			

**MANHOLE
INSIDE DIAMETER
(NOMINAL)
mm**

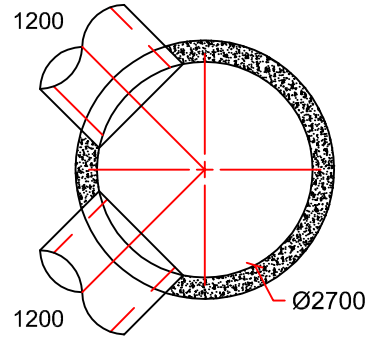
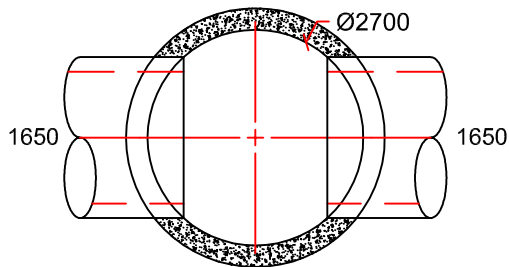
**MAXIMUM PIPE SIZE FOR
STRAIGHT THROUGH
INSTALLATION**

**MAXIMUM PIPE SIZE FOR RIGHT
ANGLE INSTALLATION**

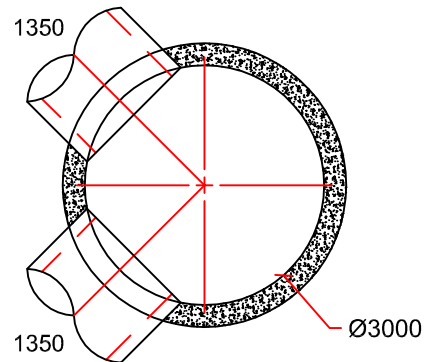
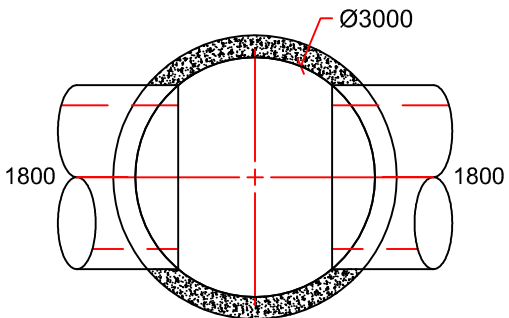
2400




2700



3000



All units in mm

DRAWN BY:	Henry Lu	Maximum Pipe Sizes for Manholes 2400mm - 3000mm Manholes Non-standard angles possible Call for specific project situations	 7336 112th AVE. NW. CALGARY, AB. PH: 403 279-5531 FAX: 403 279-7648
SCALE:	1:100		
DATE:	August 1, 2014		
DRAWING #:	MAX-MH-2400-3050		
REVISION #:	Rev. 1		
CHECKED BY:			