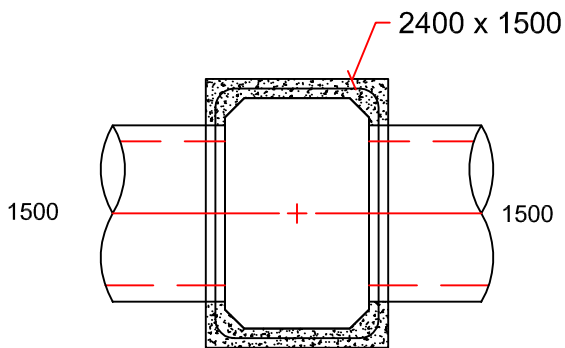
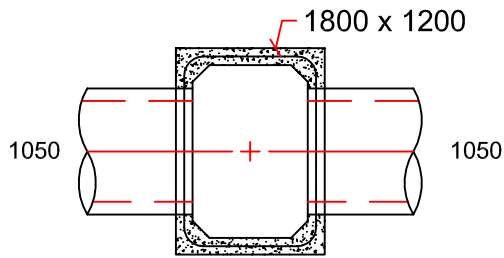
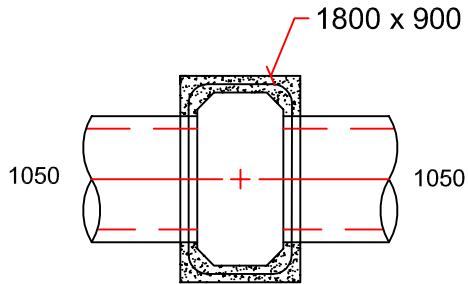
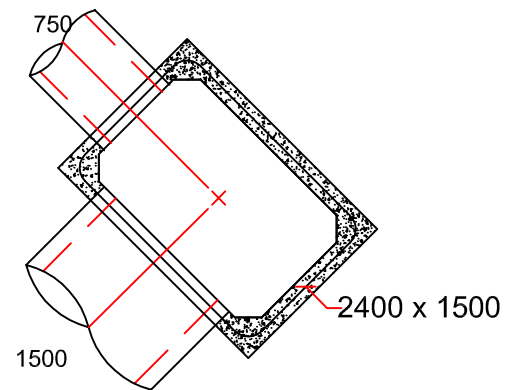
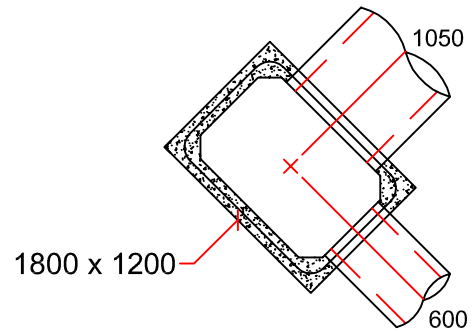
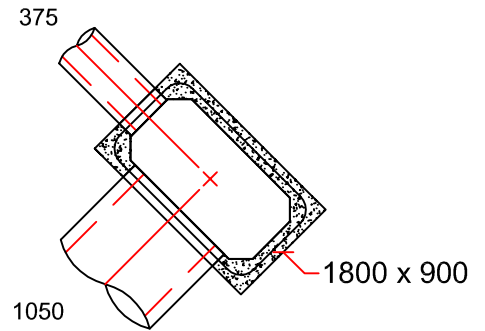


**MAXIMUM PIPE SIZE FOR
STRAIGHT THROUGH
INSTALLATION**



**MAXIMUM PIPE SIZE FOR RIGHT
ANGLE INSTALLATION**



DRAWN BY:	KIM PHAM
SCALE:	NTS
DATE:	NOVEMBER 18, 2014
DRAWING #:	MAX-PIPE-SIZE-FOR-BOX-MH1
REVISION #:	Rev. 1
CHECKED BY:	TYSON DYCK

MAXIMUM PIPE SIZES FOR BOX SECTIONS

ALL DIMENSIONS ARE FOR CONCRETE PIPE AND ARE IN mm. NON-STANDARD ANGLES POSSIBLE, CALL FOR SPECIFIC PROJECT SITUATIONS.



9265 OAK ST. VANCOUVER B.C.
PH: 604 269-6700 FAX: 604 261-6751