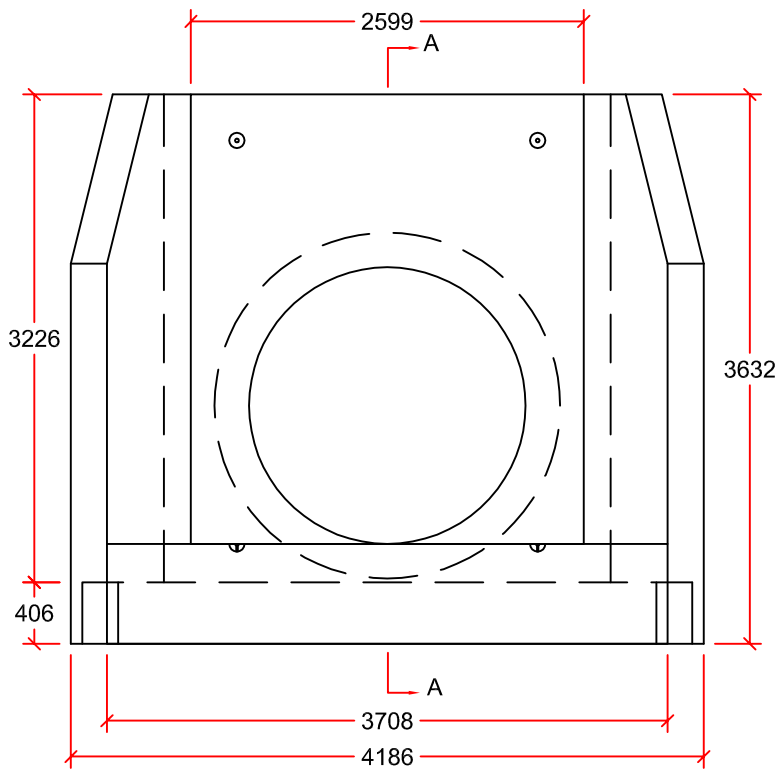
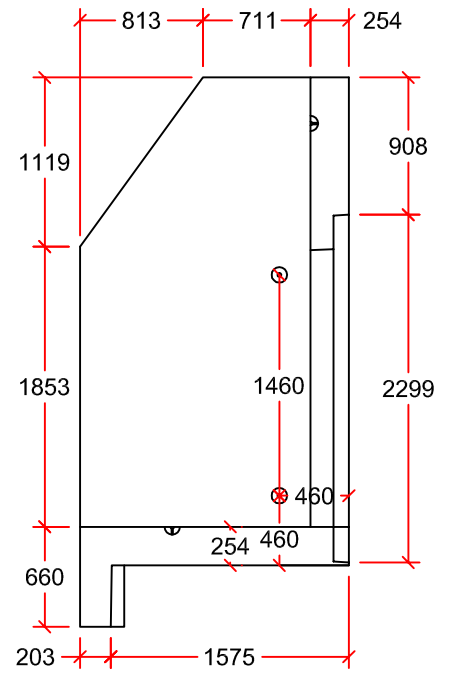



PLAN VIEW



ELEVATION VIEW



SECTION A-A

DRAWN BY:	Aaron Klemets	Type 26-28 Outlet Headwall Tall (TYP)	 9265 OAK ST. VANCOUVER B.C. PH: 604 269-6700 FAX: 604 261-6751
SCALE:	1:50		
DATE:	December 18, 2015	For up to Ø2400mm pipe Inlet Headwall has core for ID of pipe Eight 8T Lift Pins provided as shown Approximate mass: 15,200 kg All dimensions in mm	
DRAWING #:	T2628-TYP-HW-OUT-TALL		
REVISION #:	Rev. 0		
CHECKED BY:			